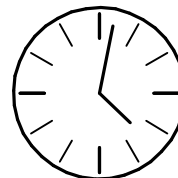
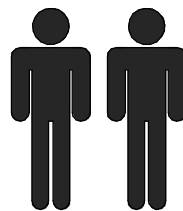
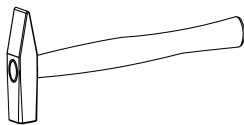
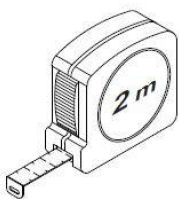
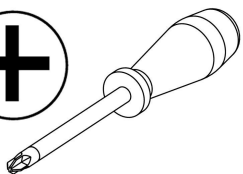


# TYP 20



60 min



UK: Assembly instructions



DE: Montageanleitung



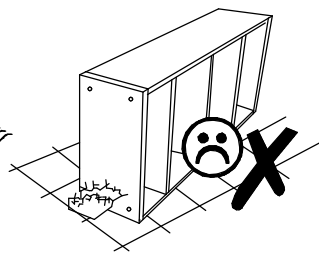
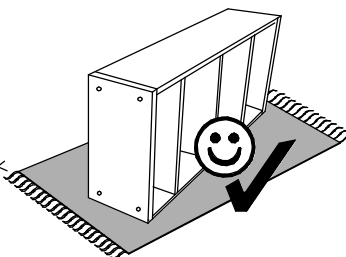
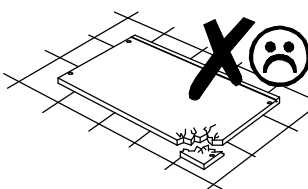
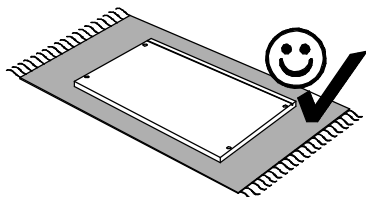
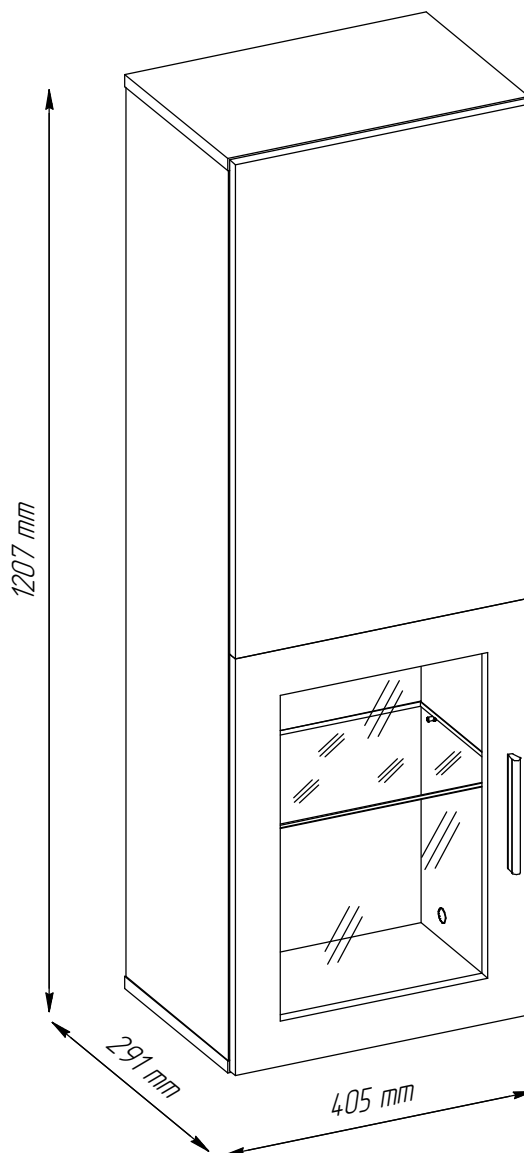
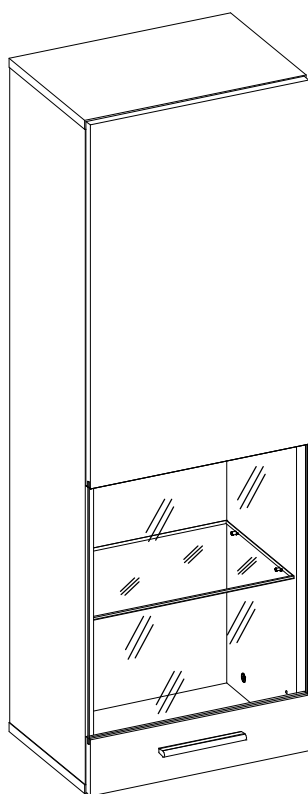
FR: Instructions de montage

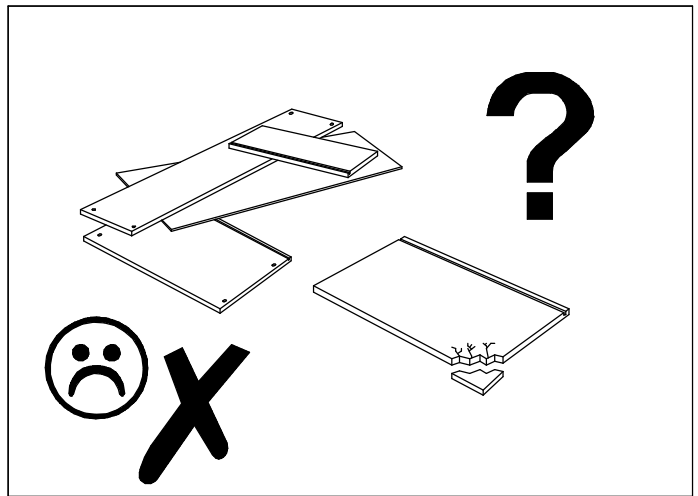
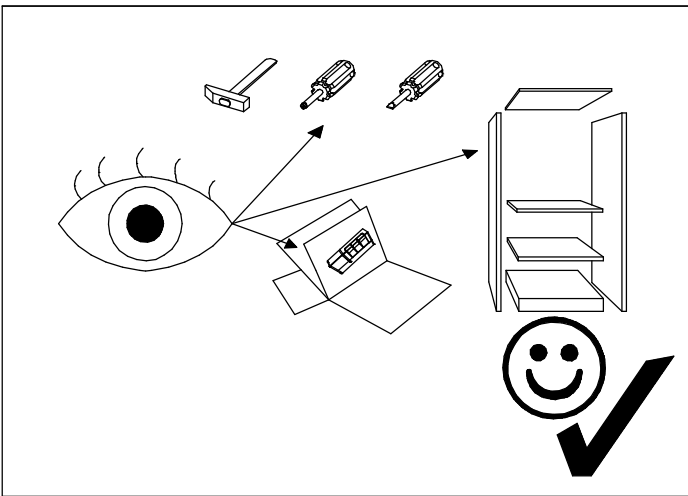
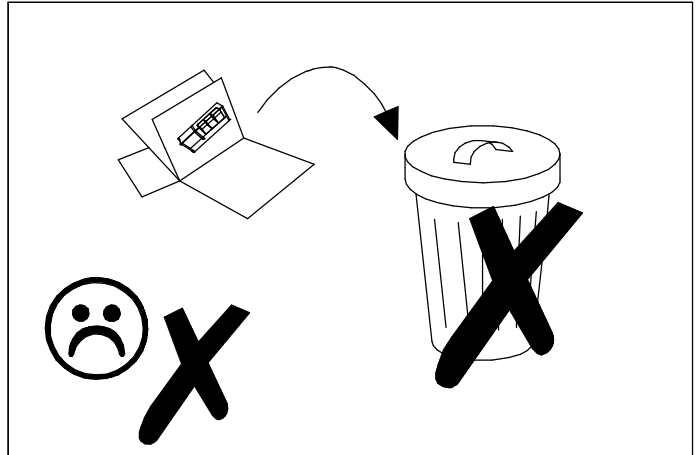
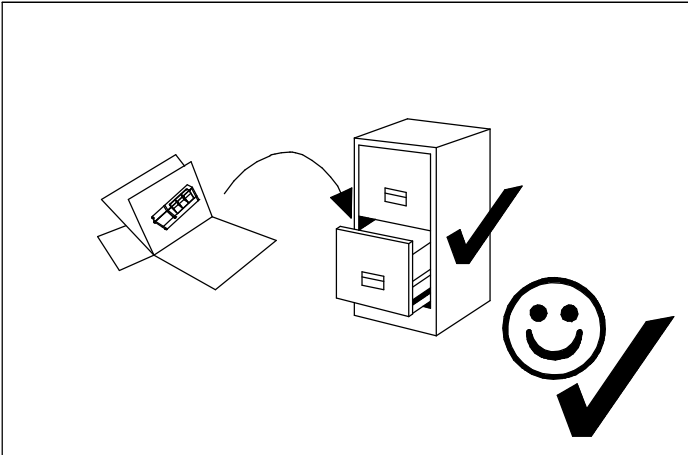
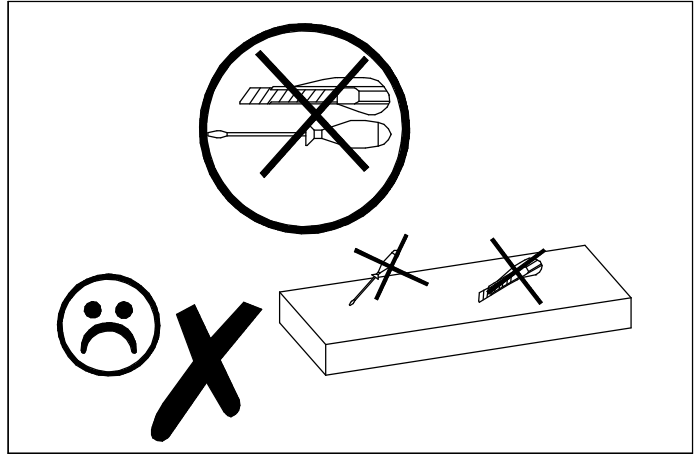
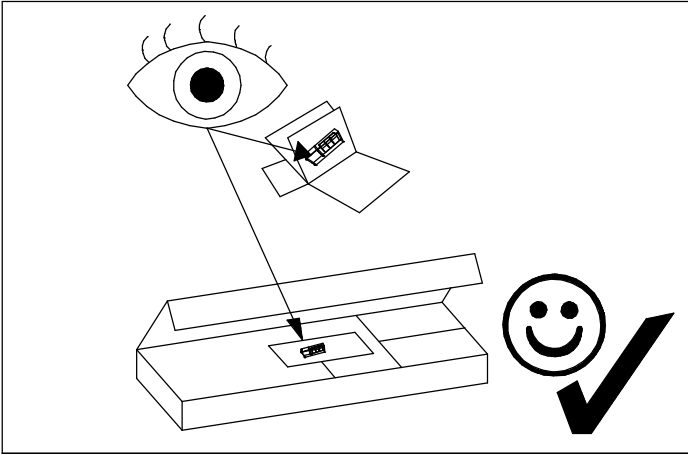


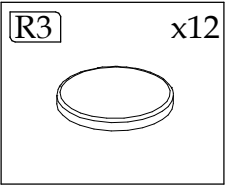
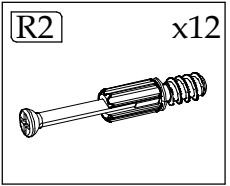
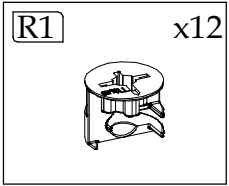
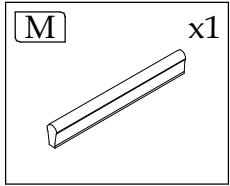
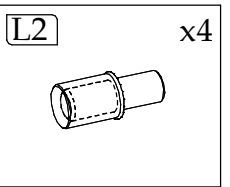
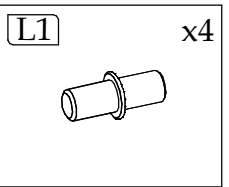
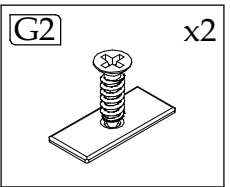
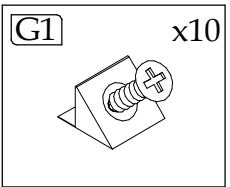
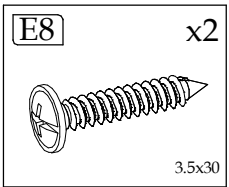
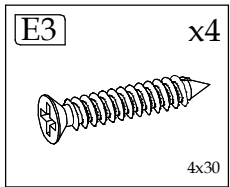
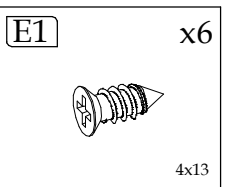
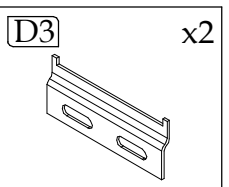
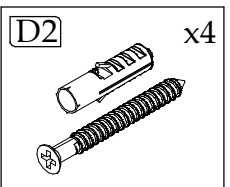
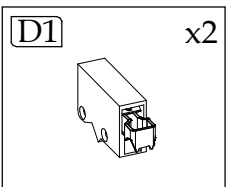
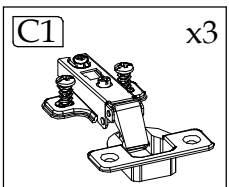
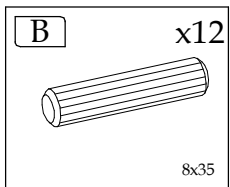
IT: Istruzioni di montaggio



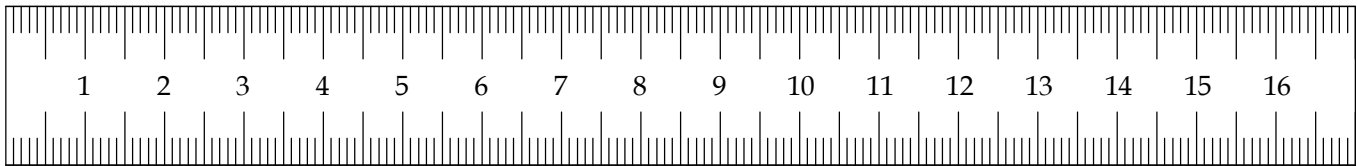
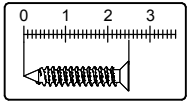
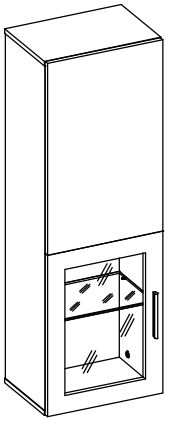
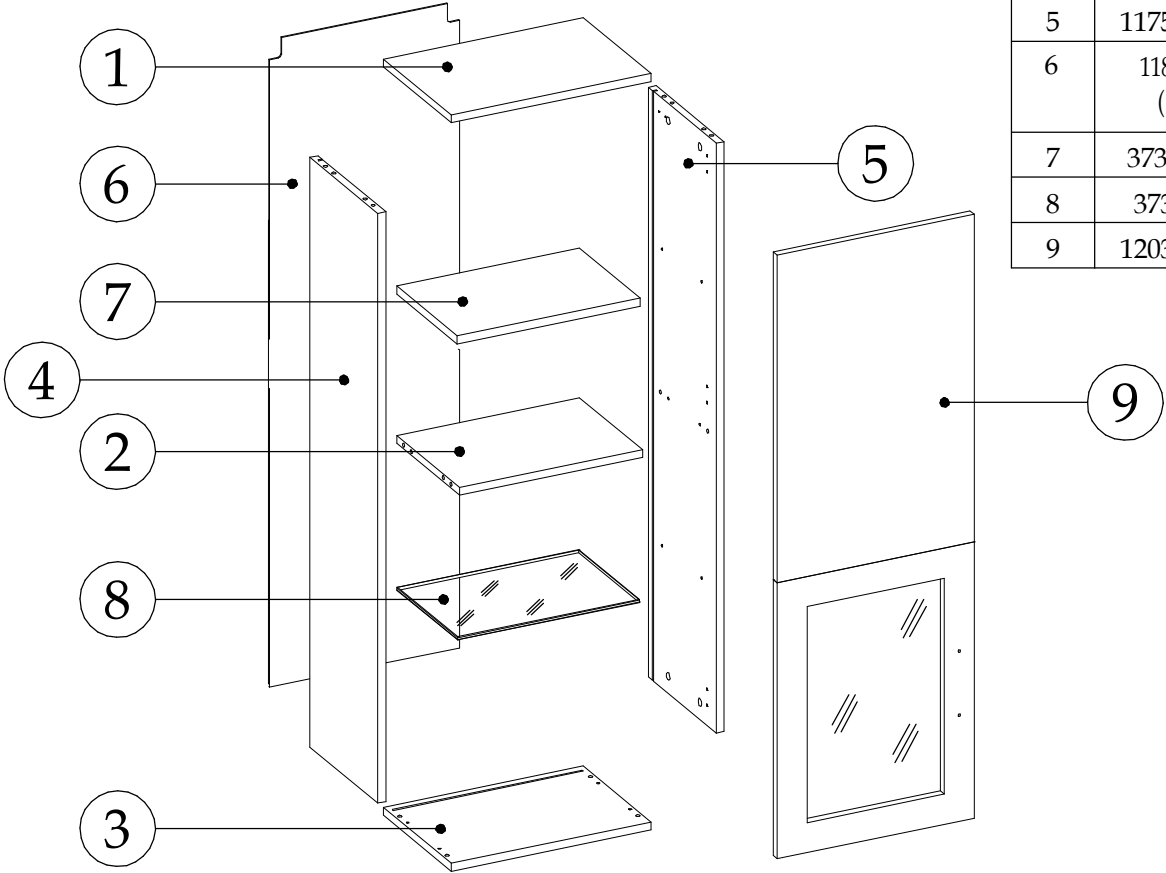
PL: Instrukcja montażu

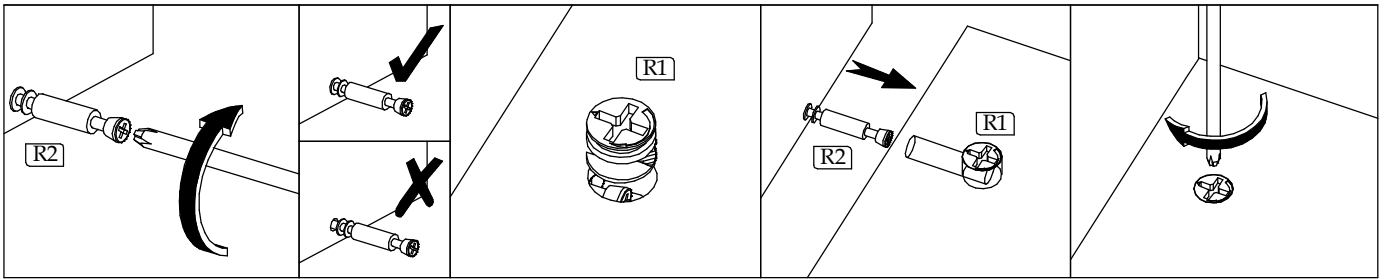




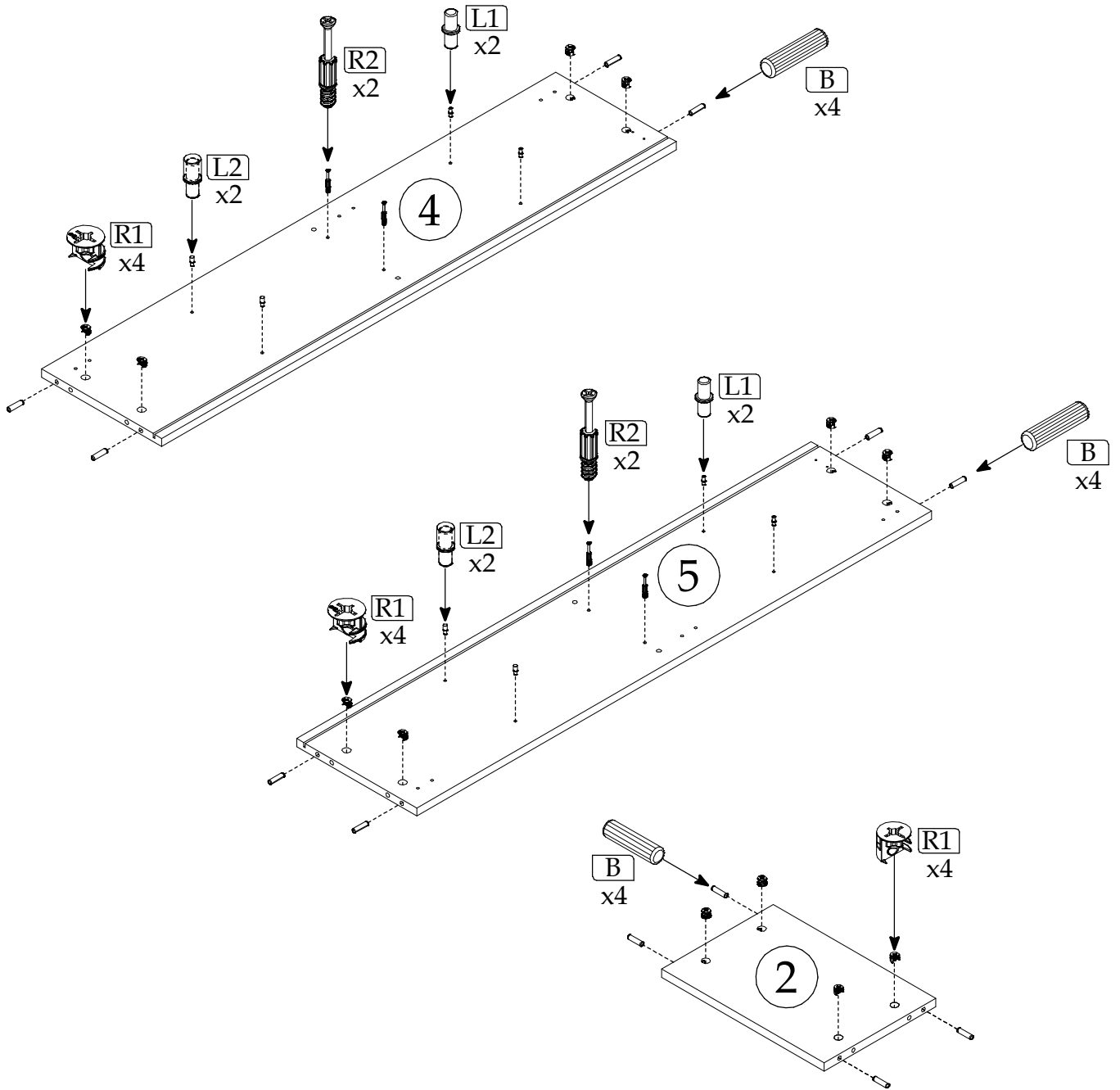


| PART/<br>INDEKS | SIZE/WYMIAR                | QTY/IL |
|-----------------|----------------------------|--------|
| 1               | 405x275x16mm               | 1      |
| 2               | 373x255x16mm               | 1      |
| 3               | 405x275x16mm               | 1      |
| 4               | 1175x275x16mm              | 1      |
| 5               | 1175x275x16mm              | 1      |
| 6               | 1186x385x3mm<br>( "+"-1mm) | 1      |
| 7               | 373x240x16mm               | 1      |
| 8               | 373x240x5mm                | 1      |
| 9               | 1203x399x16mm              | 1      |

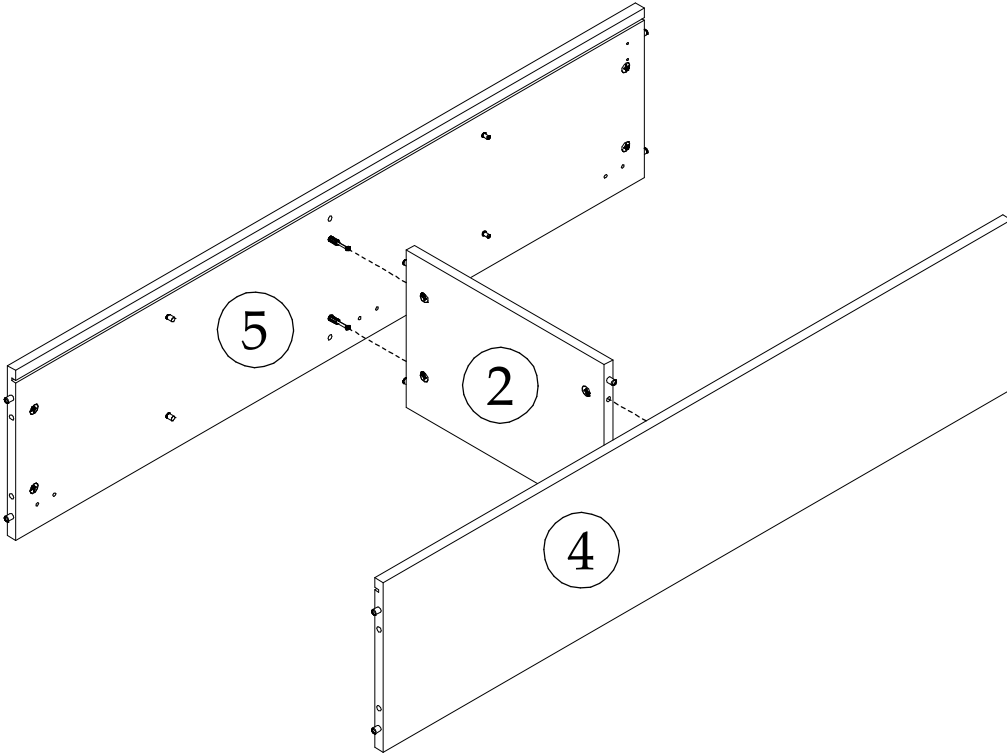
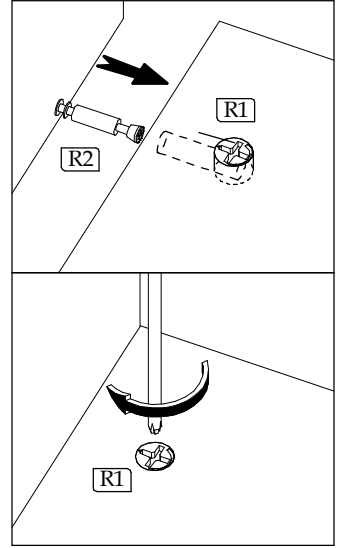
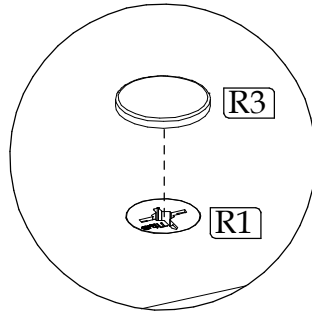




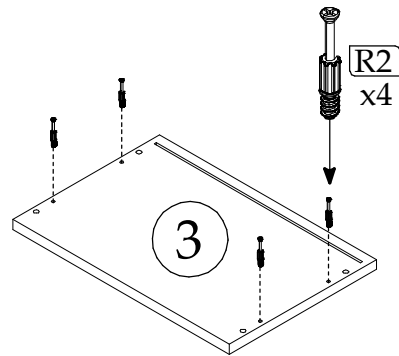
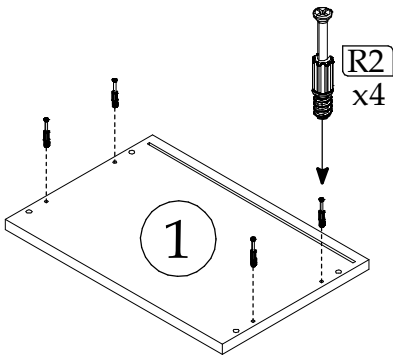
▶ 1



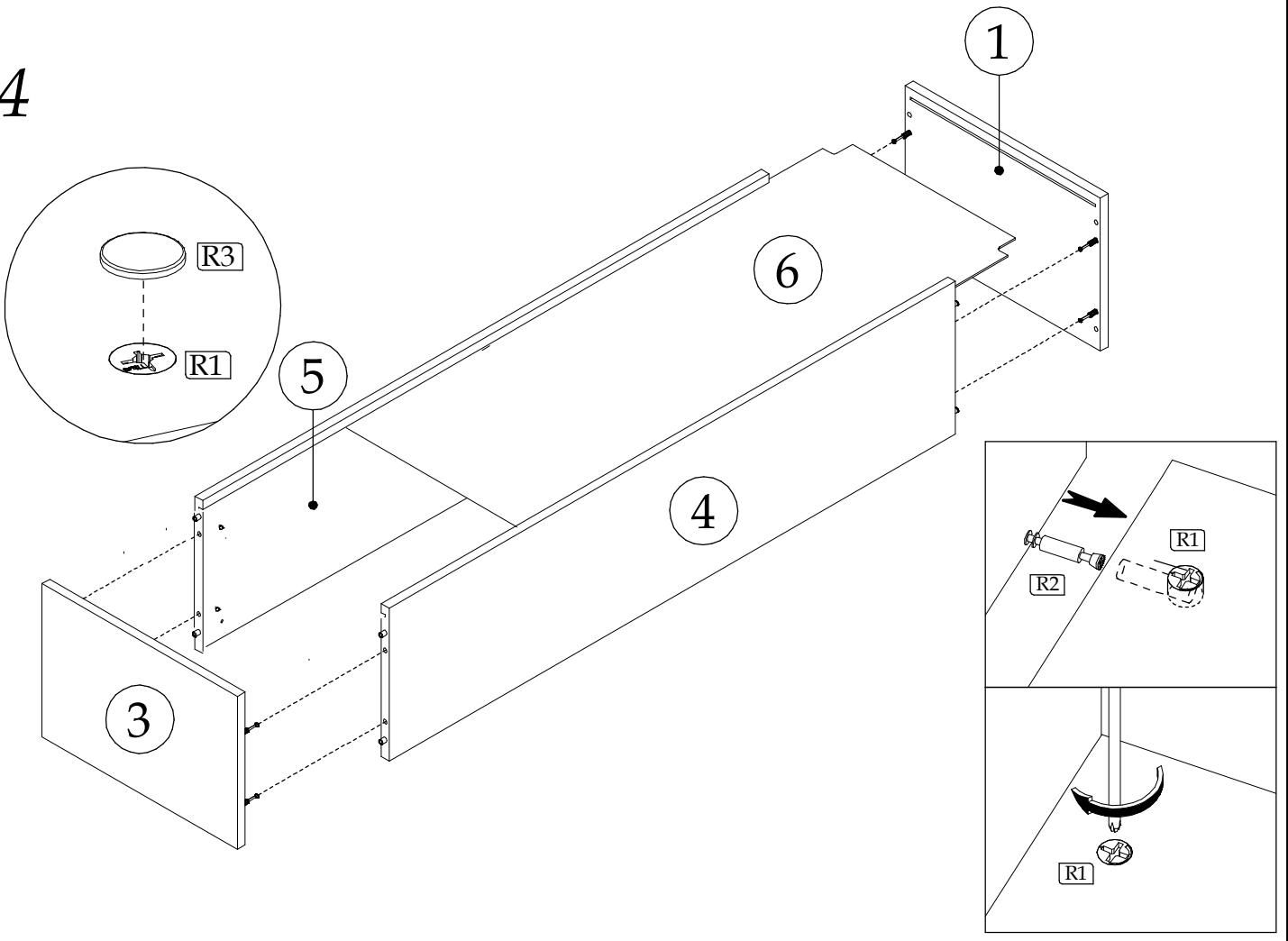
▶ 2



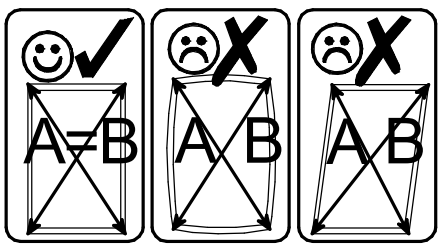
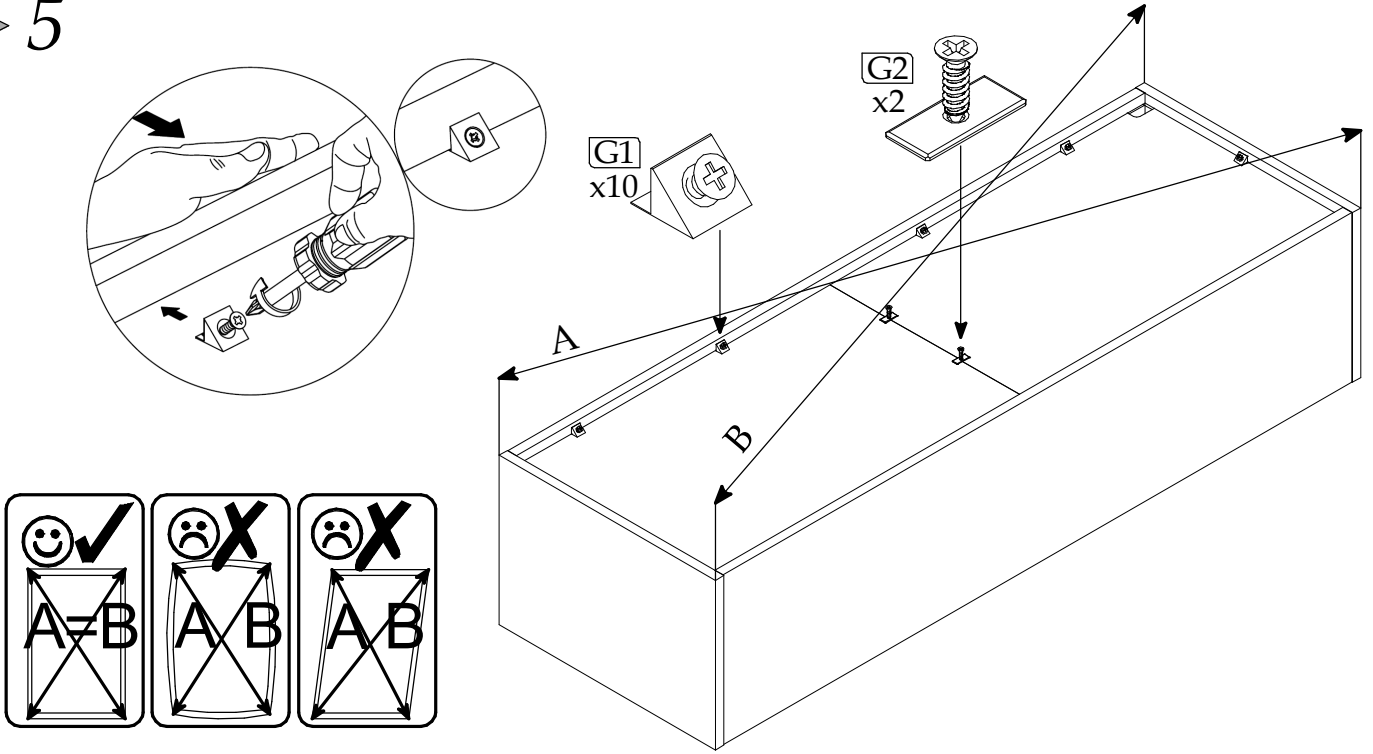
▶ 3



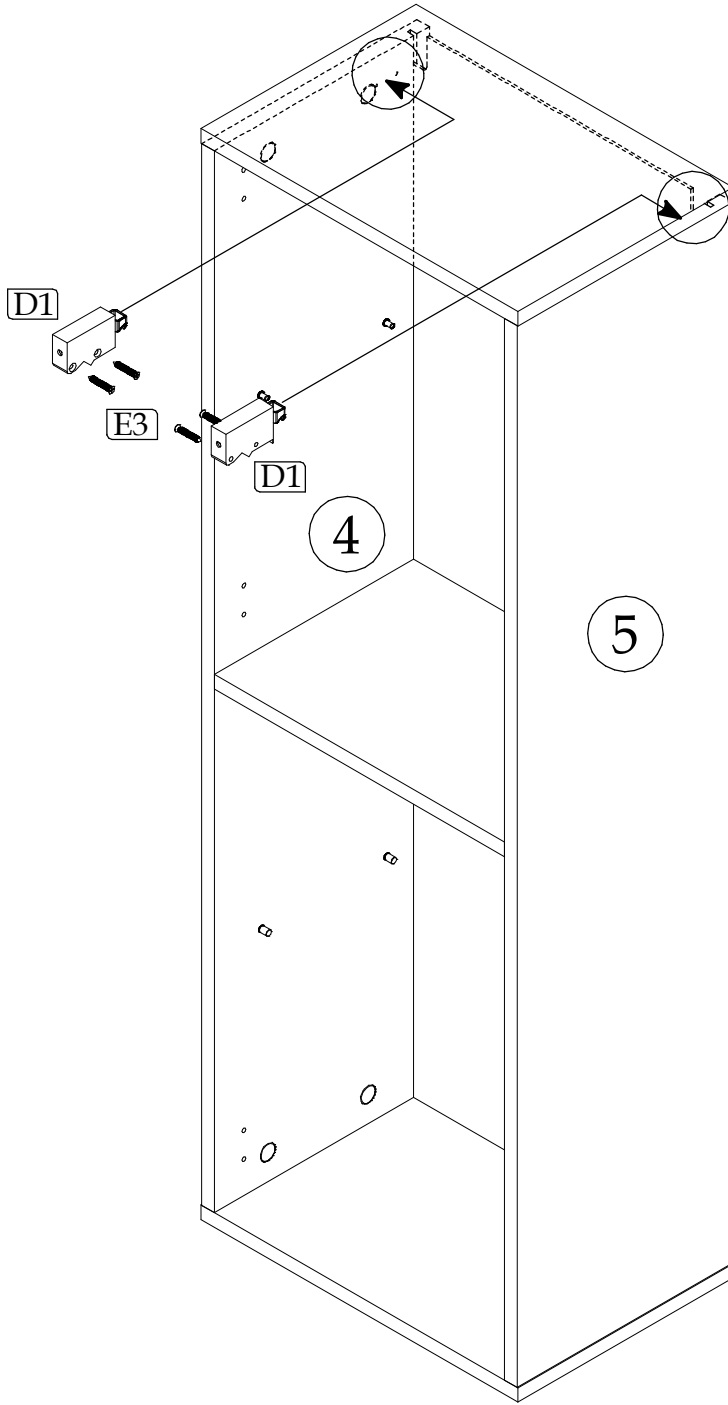
▶ 4



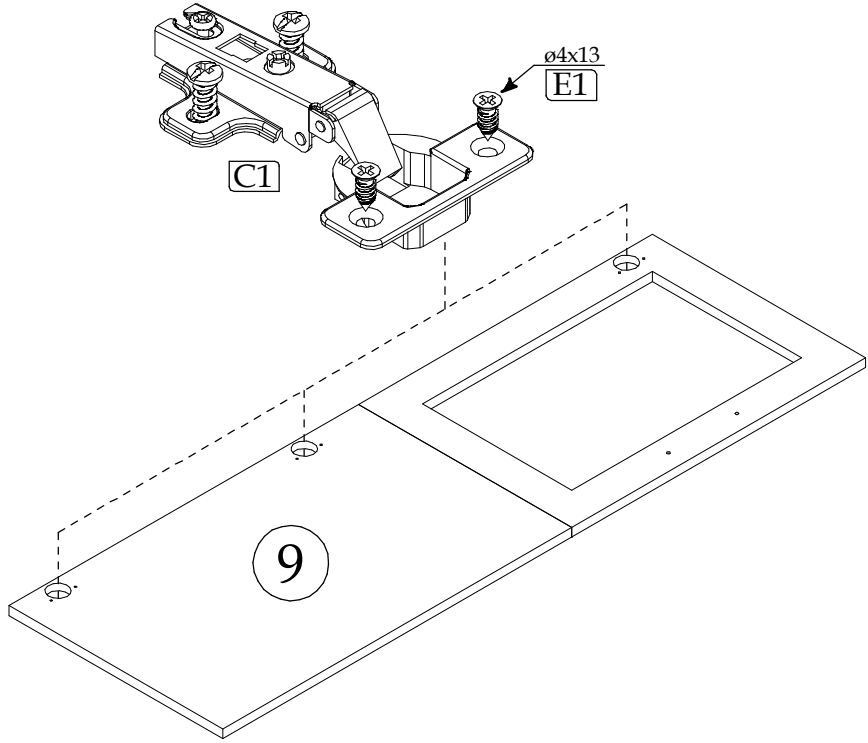
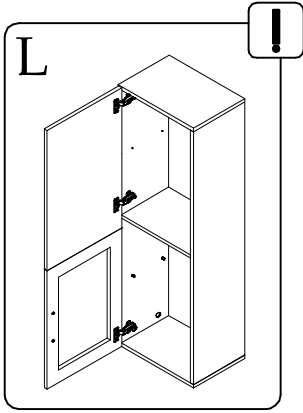
▶ 5



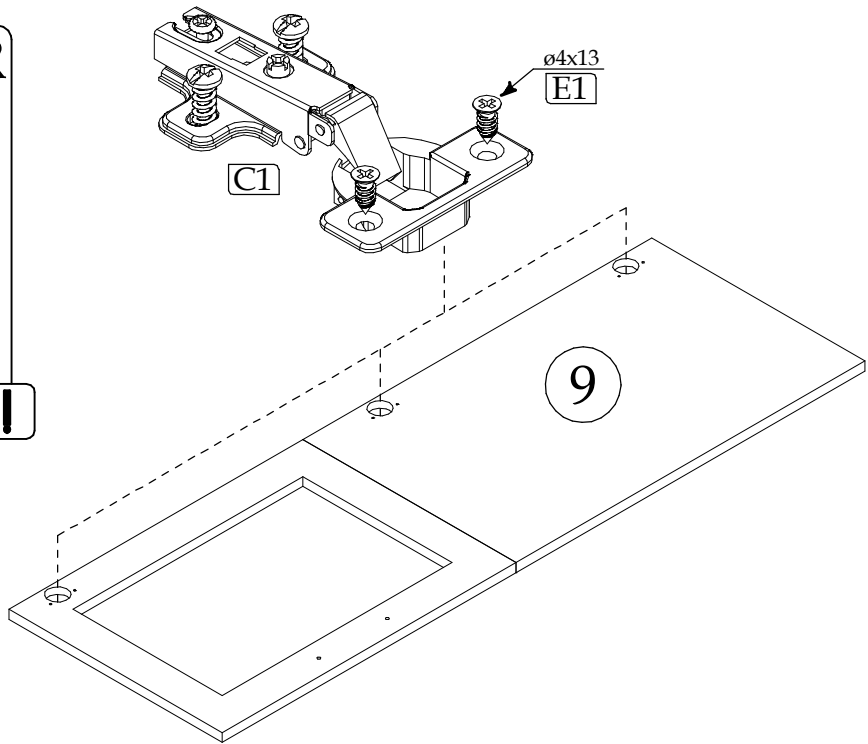
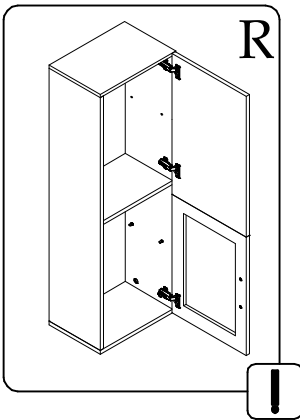
▶ 6



▶ 7

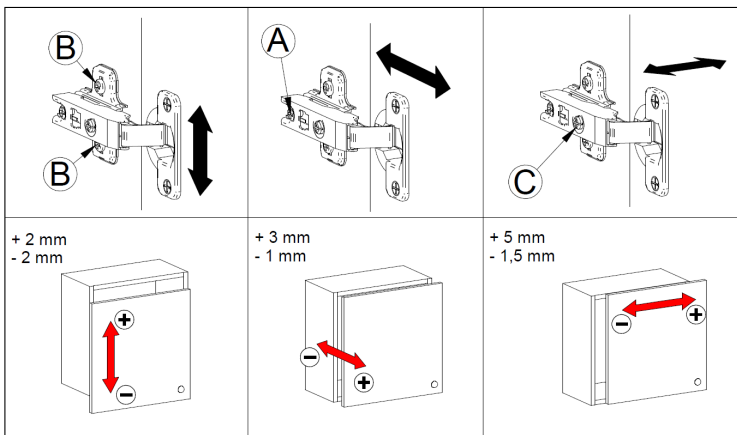
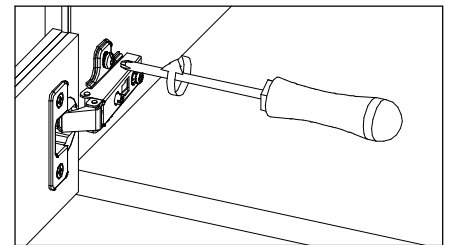
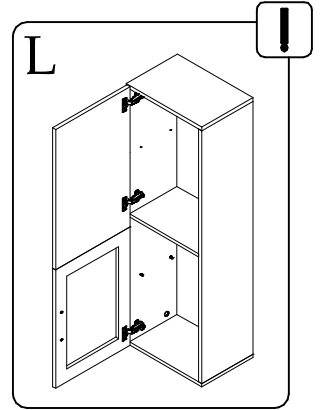
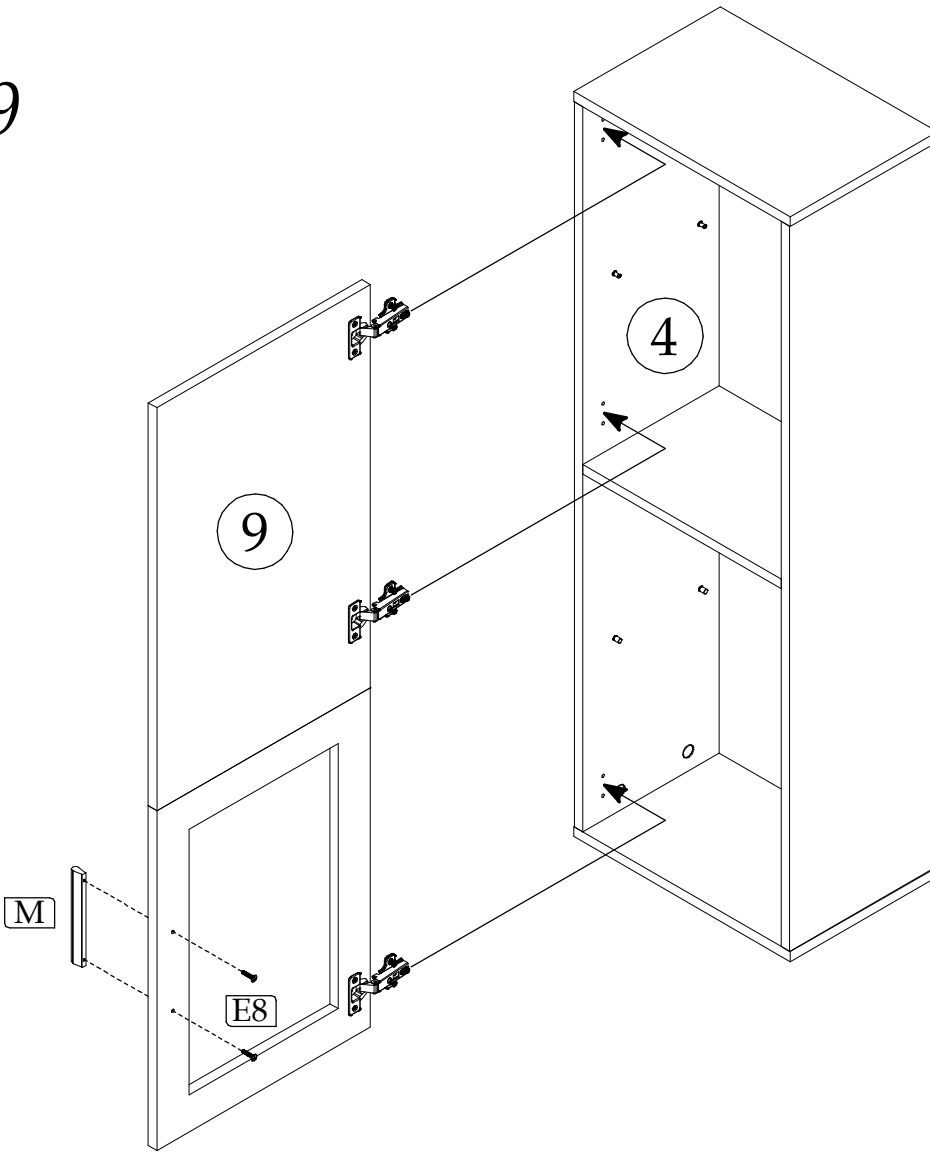


▶ 8

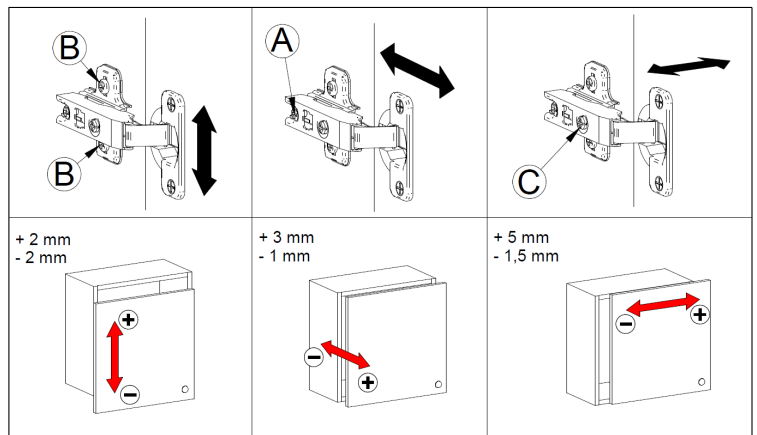
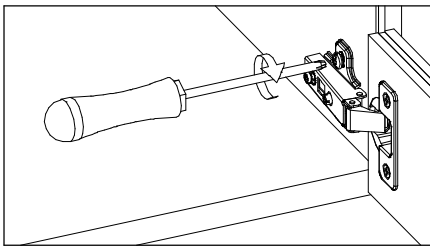
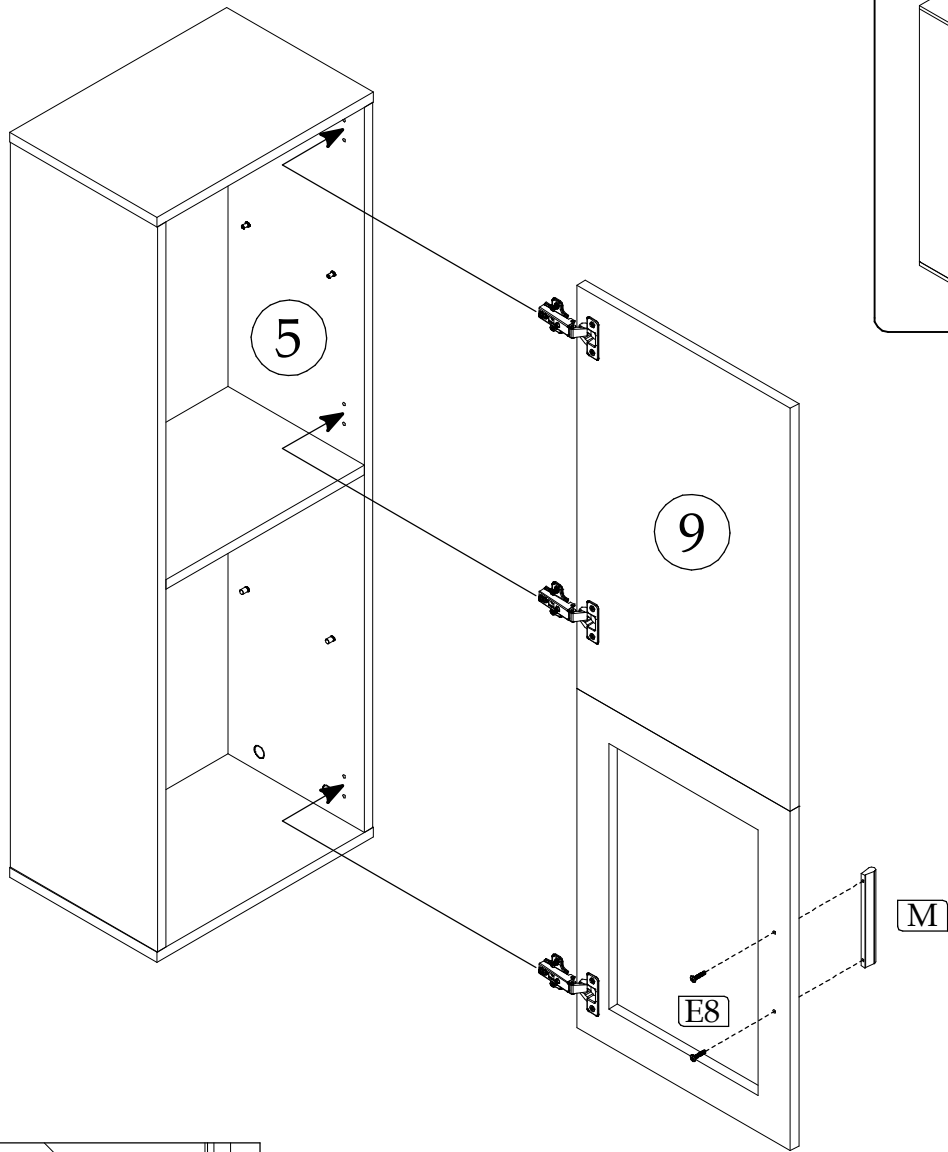




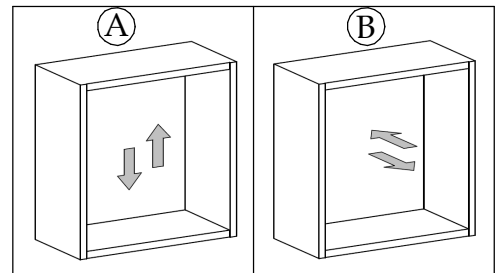
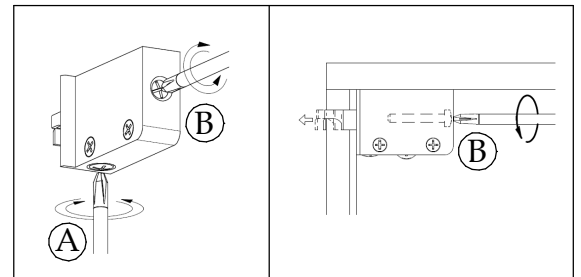
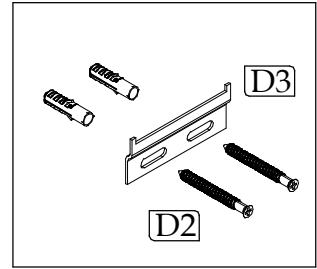
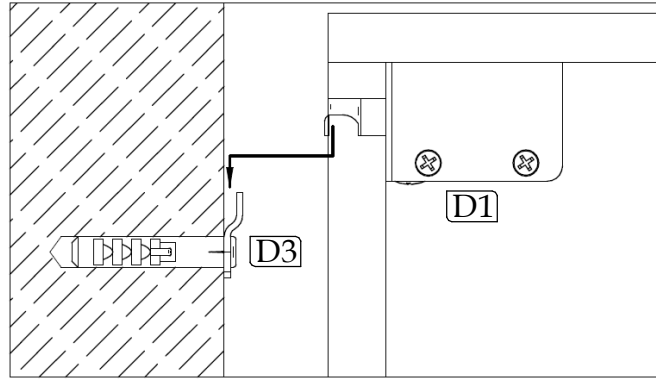
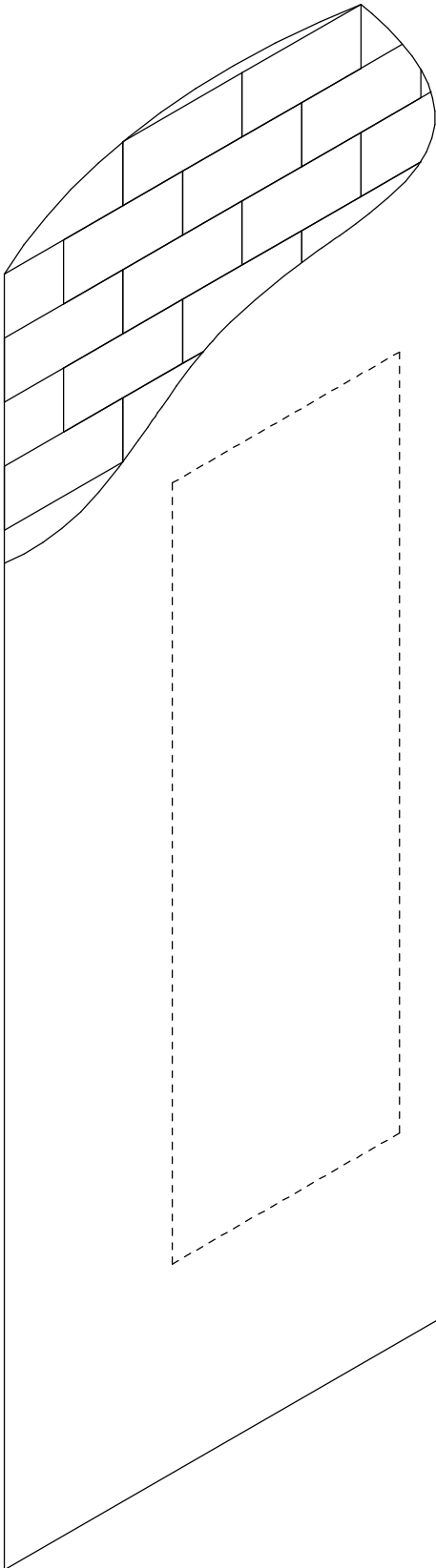
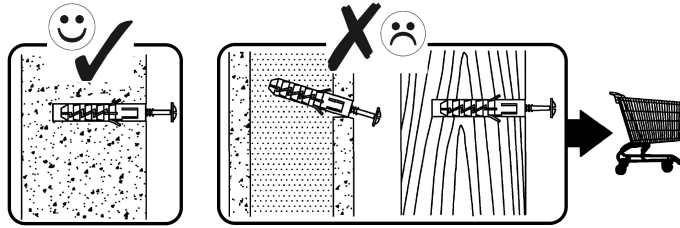
▶ 9



► 10



▶ 11



▶ 12

